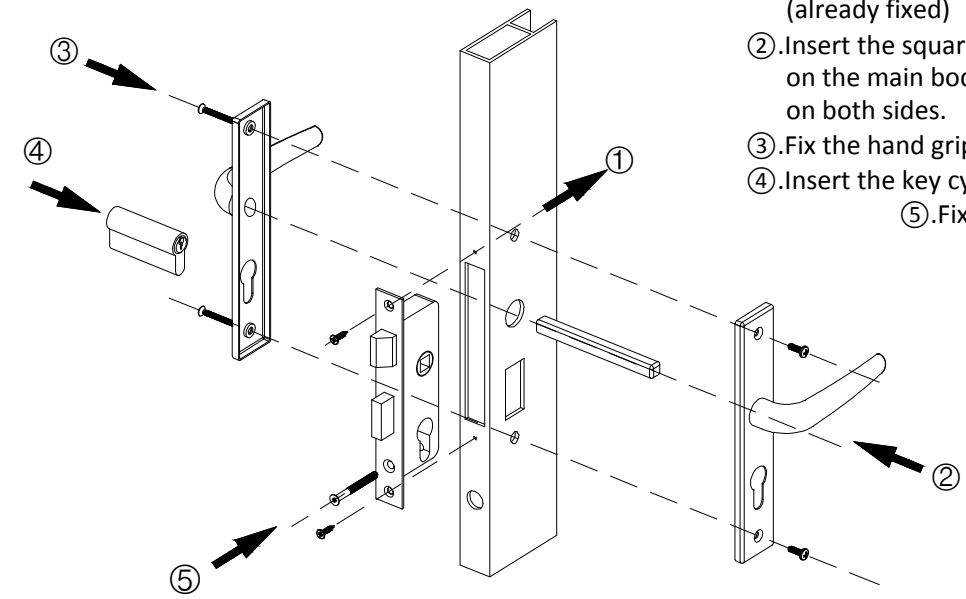
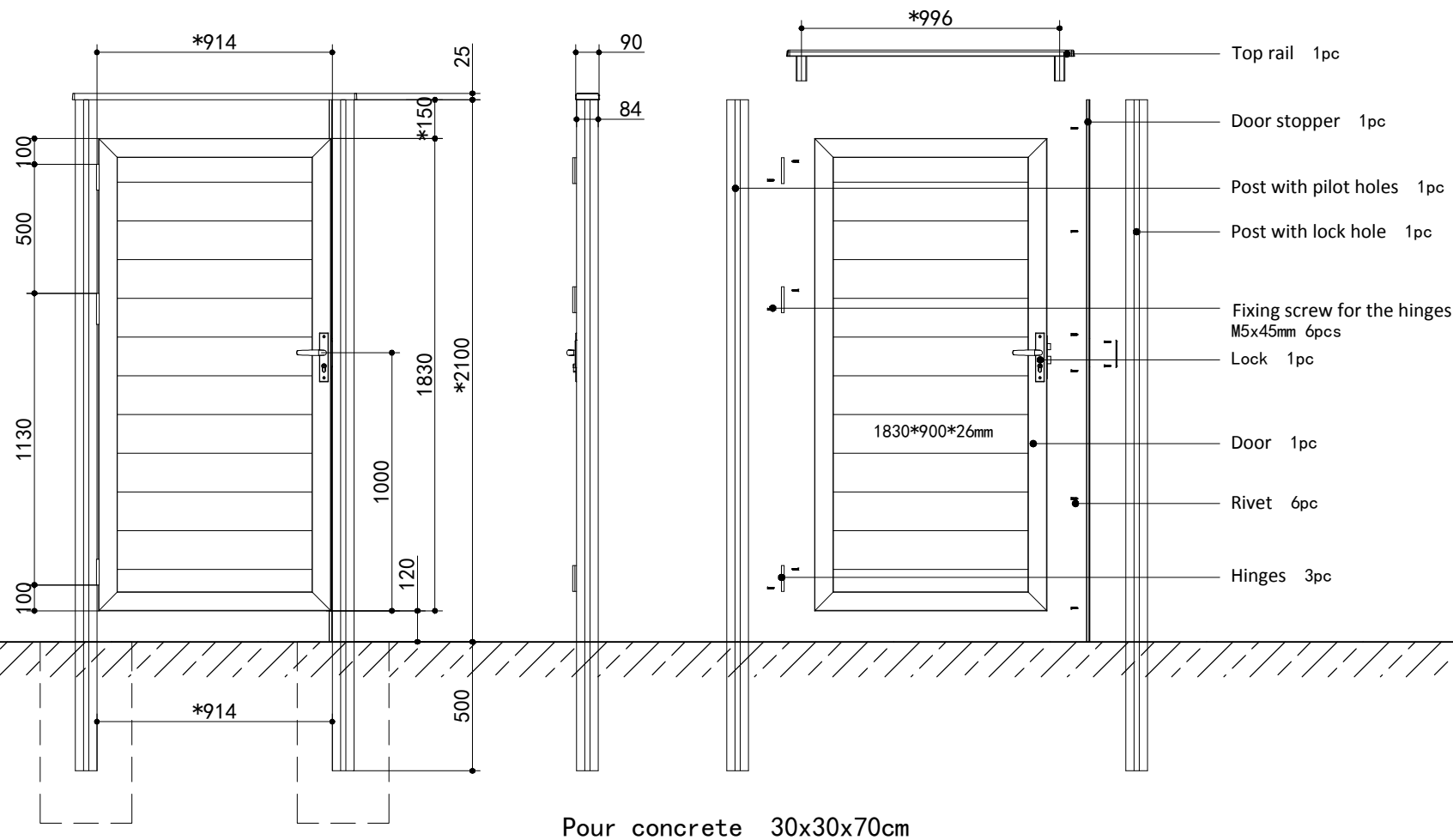


Installation Instructions of WPC Door

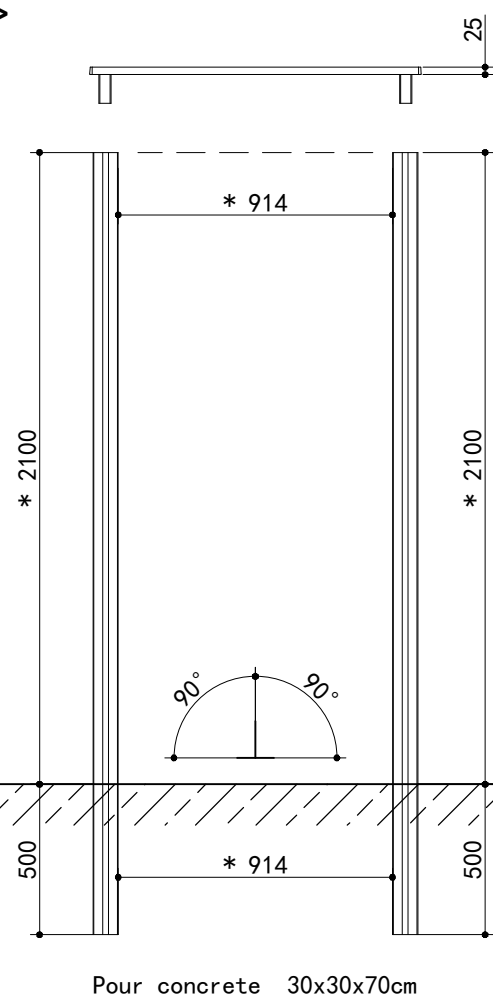


- ①. Fix the main body of the lock on the frame (already fixed)
- ②. Insert the square bar into the square hole on the main body. And mount the hand grip on both sides.
- ③. Fix the hand grip by screws.
- ④. Insert the key cylinder into the main body.
- ⑤. Fix the key cylinder by screws.

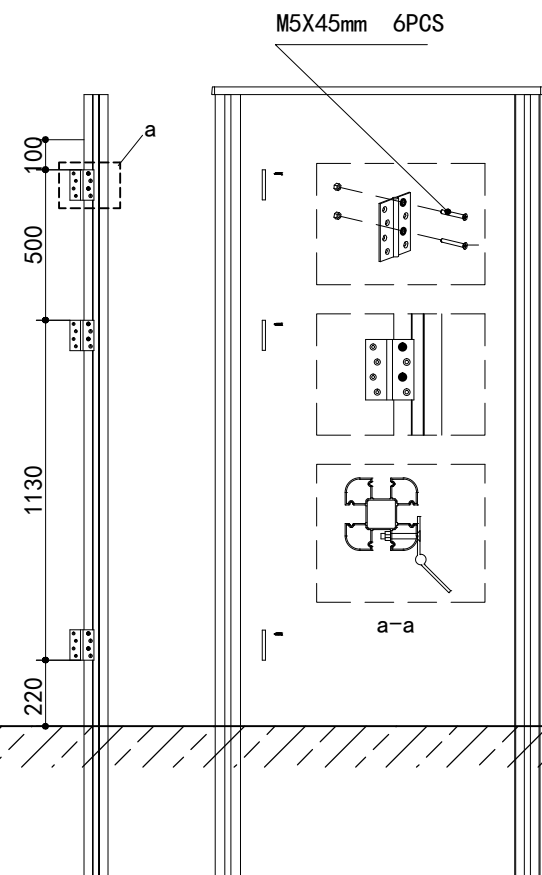
Installation instructions

1. Dig a hole in the right spots of approximately 30x30x70cm.
2. Pour concrete / Rapid concrete into the holes.
3. Place the aluminum uprights in the concrete at the proper depth / level and make sure the concrete has set, before embarking on the next steps. The post should be kept vertically and parallel.
4. Install the top rail.
5. Attach the hinges on the relative post. The post already has pilot holes.
6. Install the door.
7. Install the lock case and door handles.

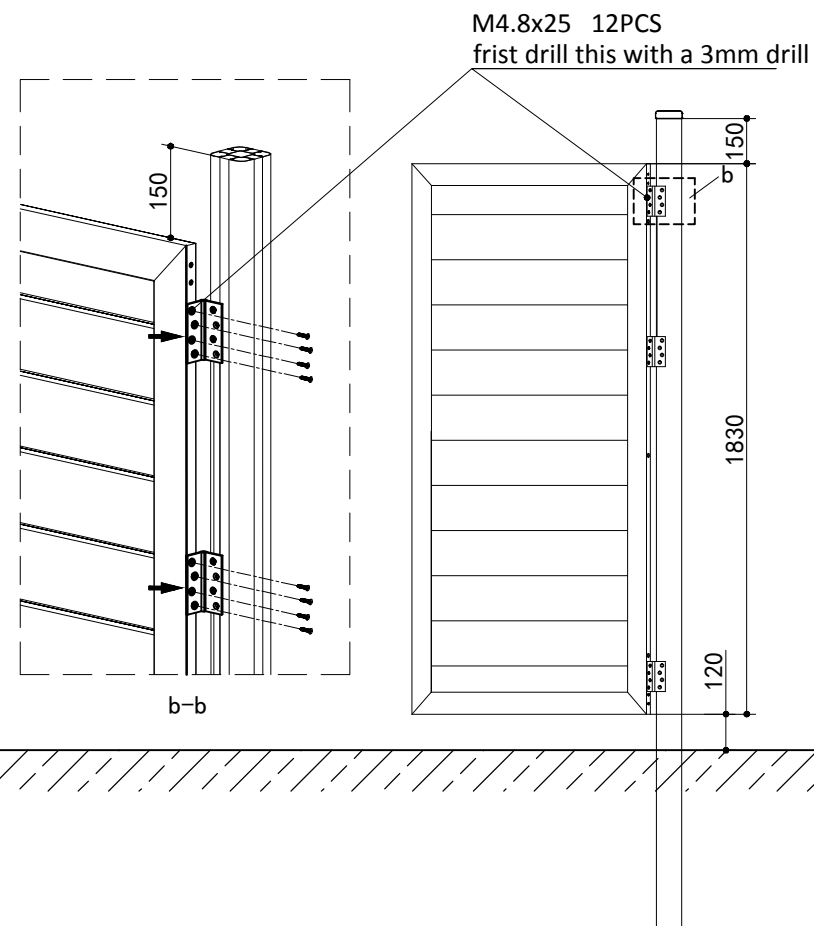
<1>



<2>



<3>



<4>

