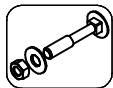


M8x140

- 4 set

(a)



Sq M8x100

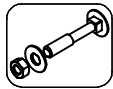
- 8 set

(b)

Sq M8x130

- 32 pcs.

(c)



Sq M6x80

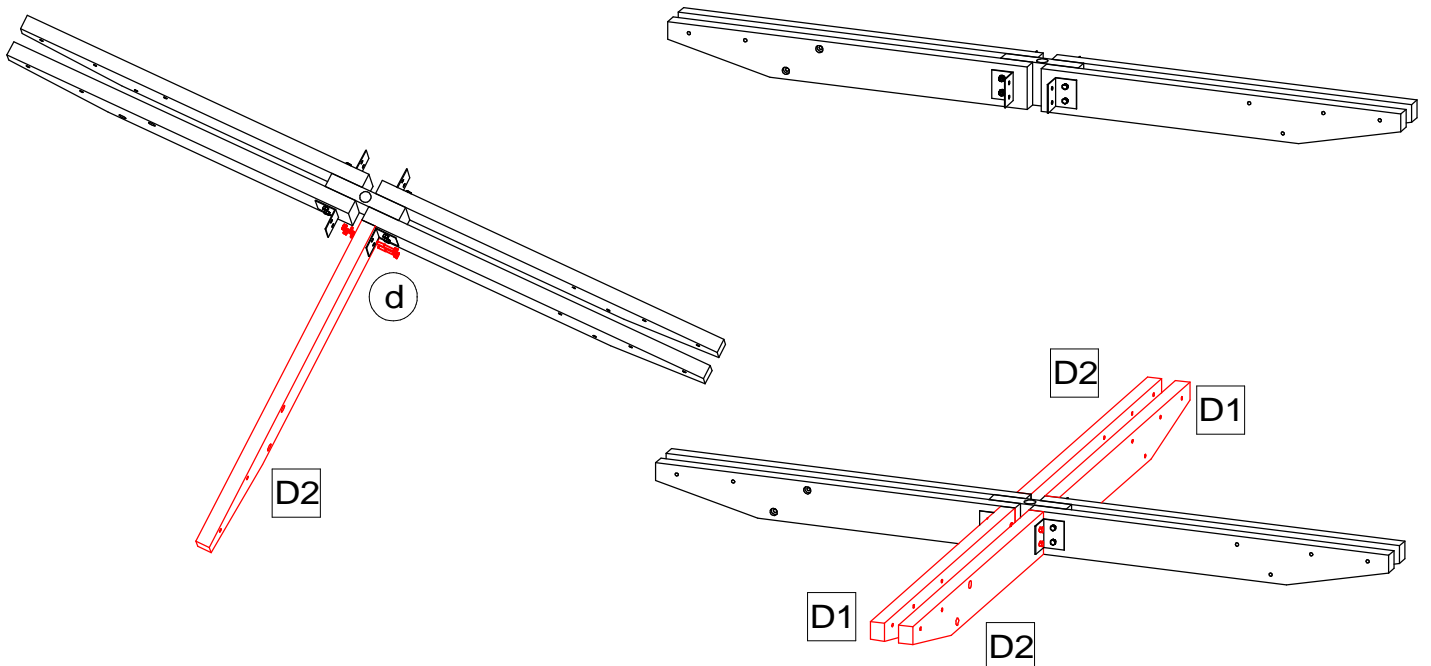
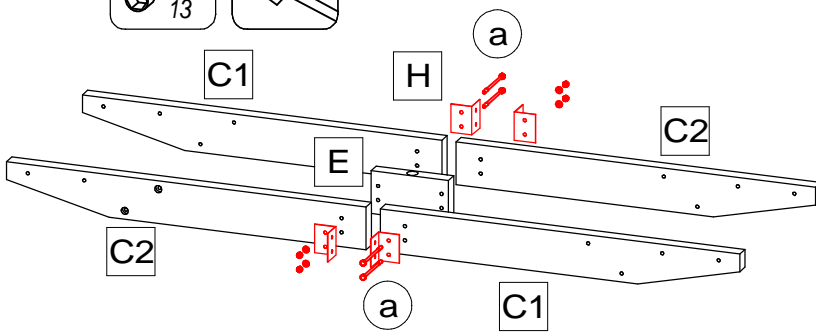
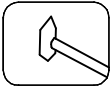
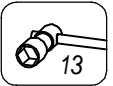
- 8 set

(d)

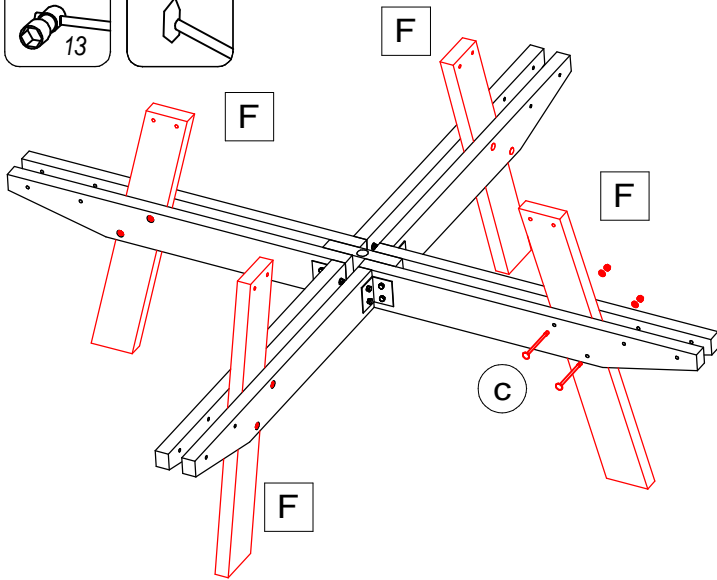
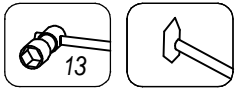
Component

A	Table top	1 pcs.
B	Bench	4 pcs.
C	Plank load-bearing benches - long	2+2 pcs.
D	Plank load-bearing benches - short	2+2 pcs.
E	Distance	1 pcs.
F	Table leg	4 pcs.
G	Bench leg	8 pcs.
H	Angle bracket	4 pcs.

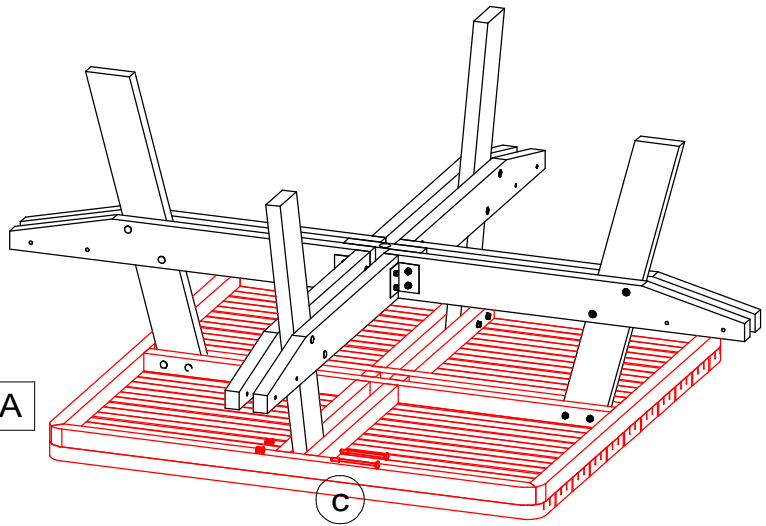
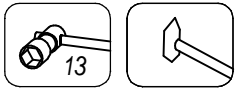
1



2



3



4

