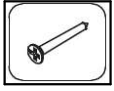
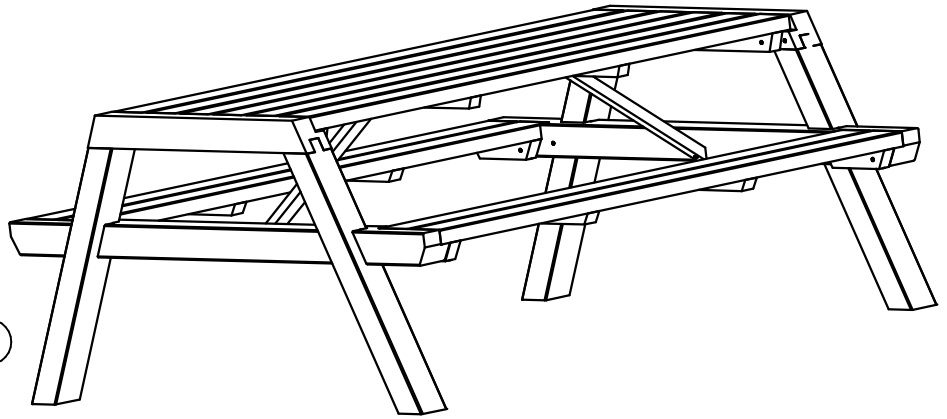
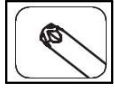


PICNIC TABLE - LUBIN



screw $\phi 4 \times 70$ - 16 pcs (a)



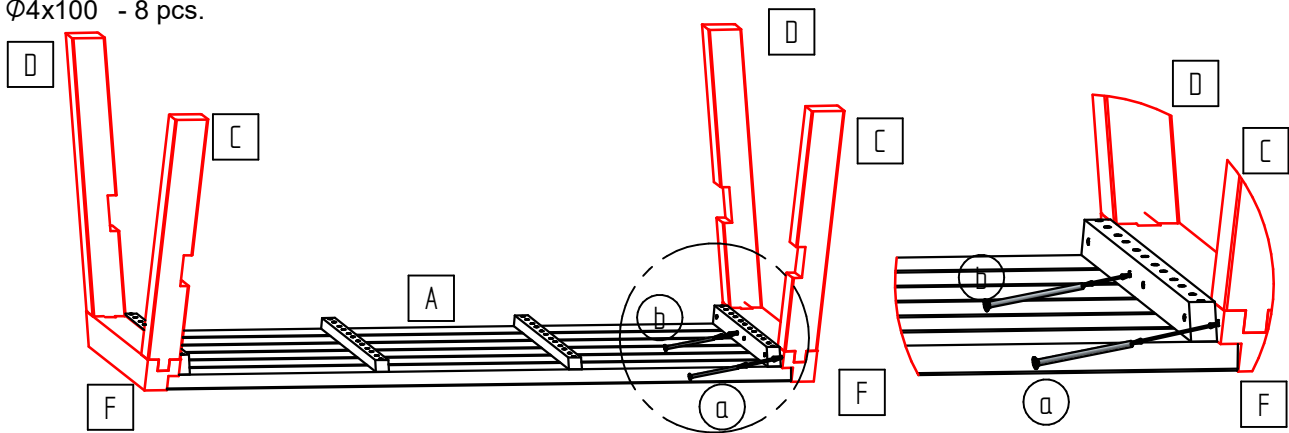
screw $\phi 4 \times 100$ - 16 pcs (b)

A	Table top	1 pcs.
B	Benches	2 pcs.
C	Leg - left	2 pcs.
D	Leg - right	2 pcs.
E	Plank load - benches	1 pcs.
F	Plank load - top	1 pcs.
G	Reinforcement	2 pcs.

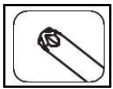
1



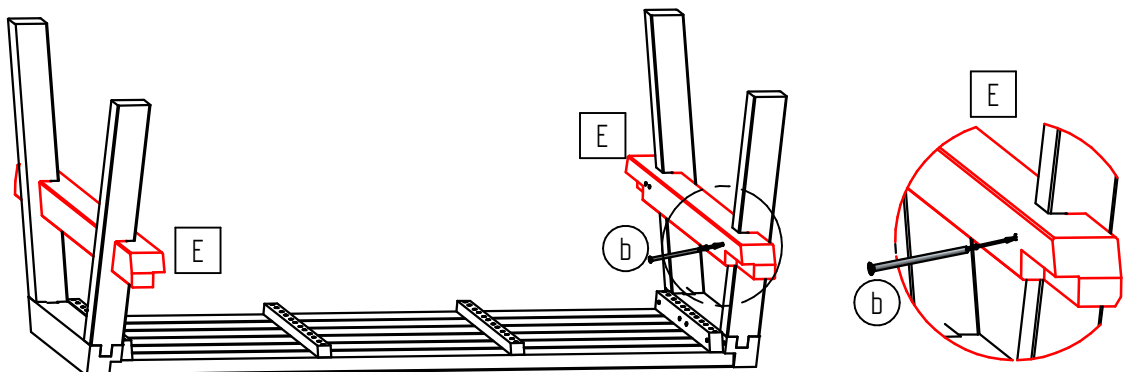
$\phi 4 \times 70$ - 4 pcs.
 $\phi 4 \times 100$ - 8 pcs.




2

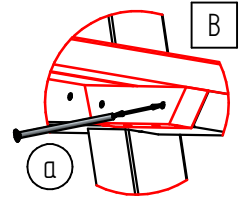
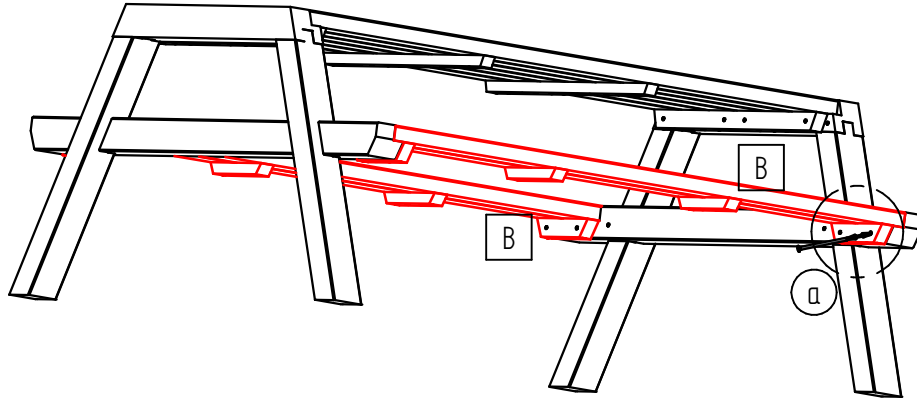



$\phi 4 \times 100$ - 8 pcs.



PICNIC TABLE - LUBIN

2  $\Phi 4 \times 70$ - 8 pcs.



2  $\Phi 4 \times 70$ - 4 pcs.

