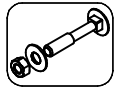
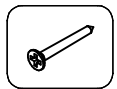


Sq M8x70 - 8 set (a)



Sq M8x60 - 4 set (b)

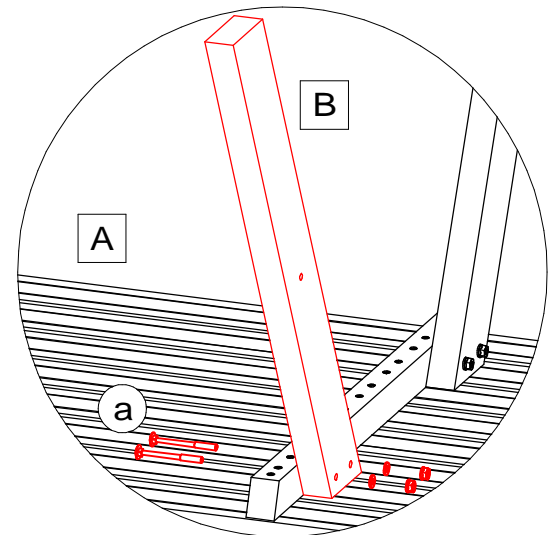
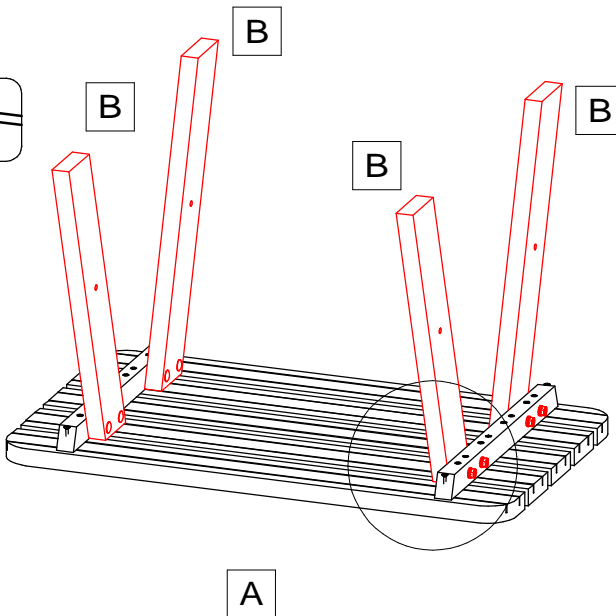
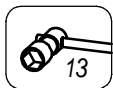


Ø4x40 - 12 pcs. (c)

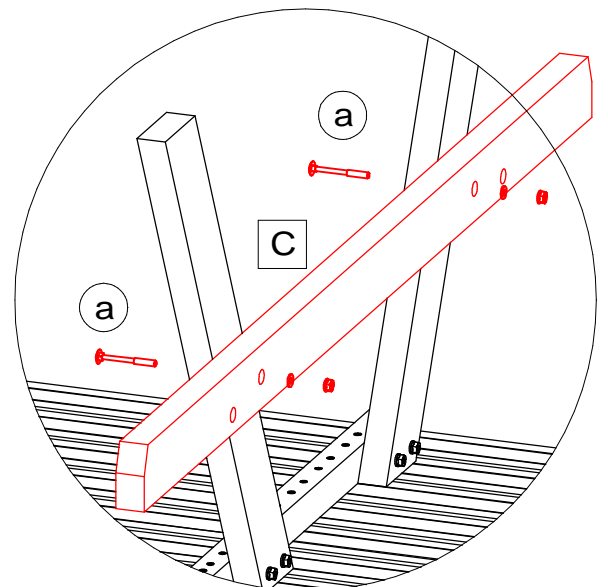
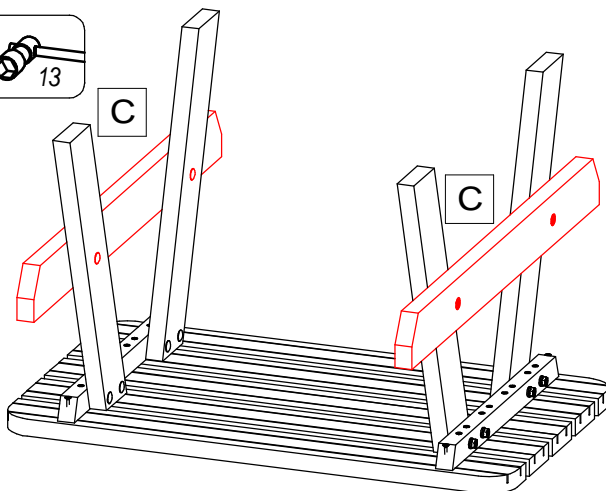
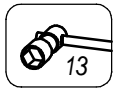
Component

A	Table top	1 pcs.
B	Table leg	4 pcs.
C	Plank load-bearing benches	2 pcs.
D	Reinforcement	2 pcs.
E	Benches	2 pcs.

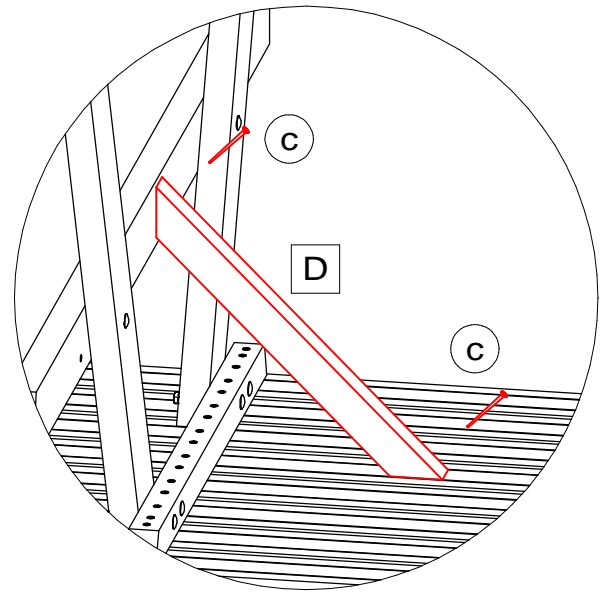
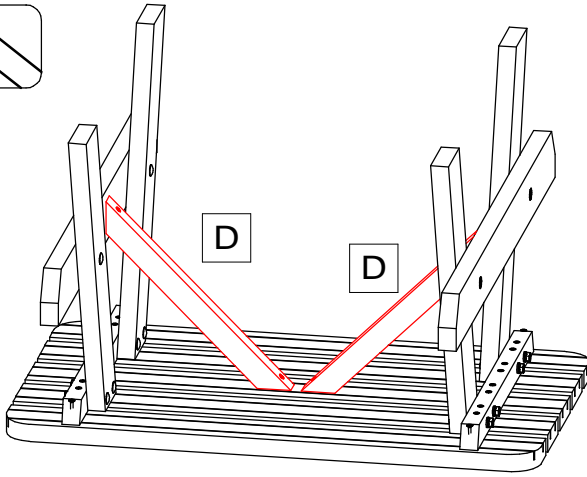
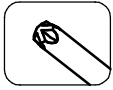
1



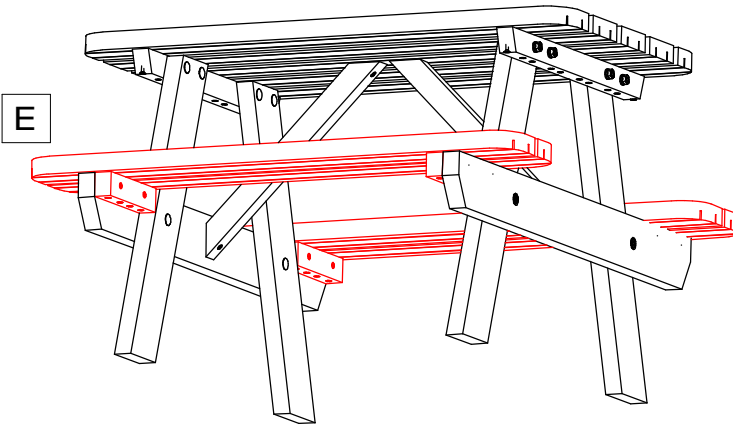
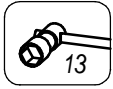
2



3



4



E

